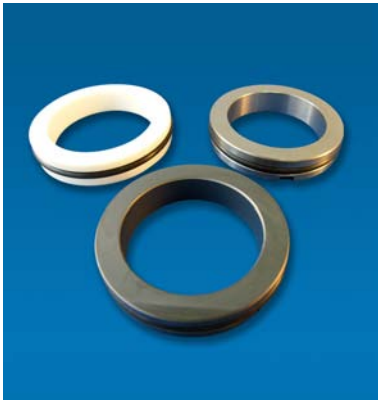




S1

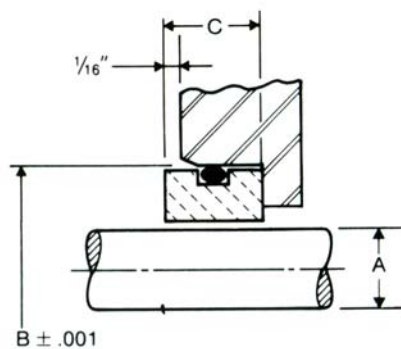


'O' Ring Mounted Seat

Interchangeable with most competitive center "O" ring mounted seats. It can be used in almost any application depending on the O'ring material used.

Material Specifications		
Part	Standard	Optional
Seat	99.5% Alumina Ceramic	Sil. Carbide T. Carbide
'O' ring	Viton	EPR, KALREZ & AFLAS

Atlas is a registered trademark of Asahi-Glass Co. Ltd
 Viton and Kalrez are registered trademarks of Dupont



INCH		
A (Nominal Shaft)	B	C
1/2	1.000	.312
5/8	1.250	.406
3/4	1.375	.406
7/8	1.500	.406
1	1.625	.437
1 1/8	1.750	.437
1 1/4	1.875	.437
1 3/8	2.000	.437
1 1/2	2.125	.437
1 5/8	2.375	.500
1 3/4	2.500	.500
1 7/8	2.625	.500
2	2.750	.500
2 1/8	3.000	.562
2 1/4	3.125	.562
2 3/8	3.250	.562
2 1/2	3.375	.562
2 5/8	3.375	.625
2 3/4	3.500	.625
2 7/8	3.750	.625
3	3.875	.625
3 1/8	4.000	.625
3 1/4	4.125	.625
3 3/8	4.250	.625
3 1/2	4.375	.625
3 5/8	4.500	.781
3 3/4	4.625	.781
3 7/8	4.750	.781
4	4.875	.781

Disclaimer: The temperature limits, pH ranges, pressure ratings, feet per box and shaft speeds shown throughout this pamphlet are representative; the service life and performance of these products can be affected by elevated temperatures and other operating conditions such as chemical resistance, shaft speeds, pressure and equipment in which that the product is being installed. The ratings supplied are suggested as a guideline and should only be used for evaluating your specific application. When in doubt, contact Robco or your ENVIROPAK distributor. *The information contained in the pamphlet should not be considered to be a warranty, expressed or implied, including, but not limited to, a warranty of merchantability or fitness for a particular purpose. In no event shall Robco be liable for any incidental or consequential damages resulting from the use, misuse or inability to use the products.* This exclusion applies regardless of whether such damages are sought based on breach of warranty, breach of contract, negligence, strict liability in tort, or any other legal theory.